

SPARTAN  MOTORS  
CHASSIS, INC.

CSB 00-0201A  
SPEC (00005)  
Page 1 of 4  
March, 2001

## CAMPAIGN SERVICE BULLETIN

**SUBJECT:**

**Door Latch Replacement**

**APPLIES TO:**

Fire Trucks Equipped with a Marion 500 or 800 Series Cab, and with a VDM (Vehicle Date of Manufacture) between 1/1/96 and 1/1/2000

Fire Trucks Equipped with a Truck Cab Manufacturing 500 or 800 Series Cab, and with a VDM between 1/1/96 and 10/10/00

*Revision 'A' - Step #5 emphasizes that the new bolts supplied in the kit must be used. These bolts have a locking patch in the threads to maintain clamping force.*

**CONDITION:**

Potential For Latch Control Pin to Break and Cause a Door Not to Open or Close Properly

**CAUSE:**

Insufficient Pin Diameter

**CORRECTION:**

Replace Door Latches

**SERVICE PROCEDURE: Labor Time: 1.0 Hour**

Remove and replace existing door latches. Adjust each door striker if necessary. Apply grease to door latch.

**PART LIST:**

<u>QTY</u>	<u>Part Number</u>	<u>Description</u>
1	00005	Kit-Fire Truck Door Latch
* as needed	705	Grease-White Lithium (or Equivalent)

\*Not included in kit; use as required

Technical bulletins are intended for use by professional technicians only. They are written to inform these technicians of a condition that may occur on a vehicle, or to provide information that could assist in the proper service of a vehicle. Properly trained technicians have the equipment, tools, safety instructions, and training to do a job properly and safely. If a condition is described, DO NOT assume that the bulletin applies to your vehicle, or that your vehicle will have that condition.

SPARTAN  MOTORS  
CHASSIS, INC.

CSB 00-0201A

SPEC (00005)

Page 2 of 4

March, 2001

**PART LIST (cont.):**

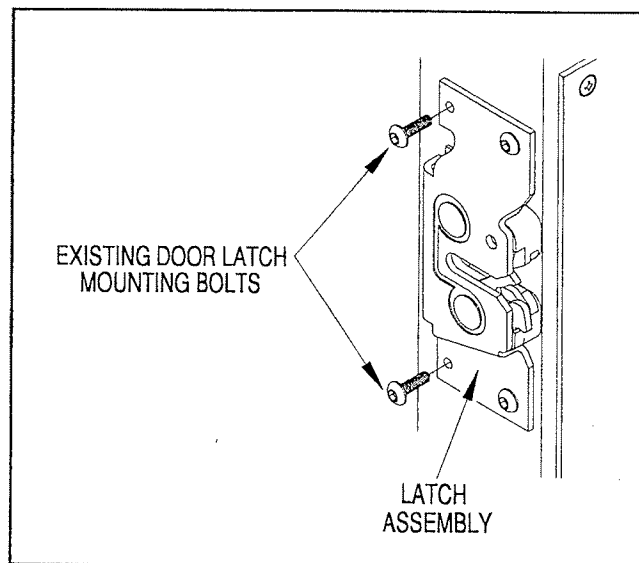
<u>QTY</u>	<u>Part Number</u>	<u>Description</u>
Kit # 00005 Contains:		
2	S-1446-001	Alignment Screw
2	0315-EE3	Latch Asm - L.H.
2	0316-EE3	Latch Asm - R.H.
16	0202-BB1-006	Bolt- 1/4"-20 x 3/4"
1	CSB 00-0201A	Bulletin Instructions

**PLEASE READ THE ENTIRE BULLETIN BEFORE  
PROCEEDING WITH ANY WORK.**

**Step by step instructions:**

**Step #1 through step #7 describe the procedure for replacing one- (1) door latch assembly. Replace the remaining three- (3) door latch assemblies using the same method.**

1. Refer to FIG. 2-1. Remove and properly dispose of the two- (2) most forward bolts from the door latch assembly as shown.



**Left Hand Shown, Right Hand Opposite**

**FIG. 2-1**

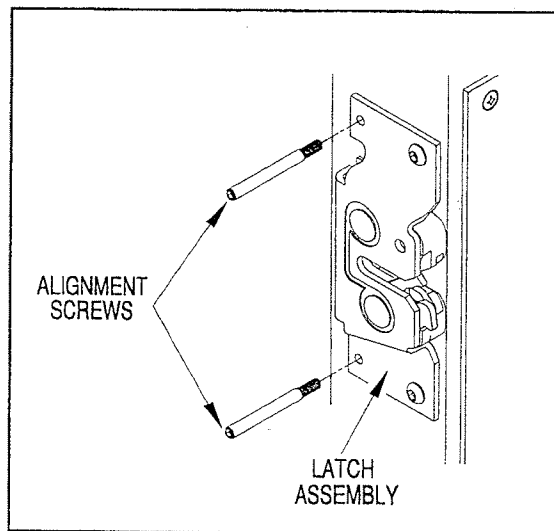
Technical bulletins are intended for use by professional technicians only. They are written to inform these technicians of a condition that may occur on a vehicle, or to provide information that could assist in the proper service of a vehicle. Properly trained technicians have the equipment, tools, safety instructions, and training to do a job properly and safely. If a condition is described, DO NOT assume that the bulletin applies to your vehicle, or that your vehicle will have that condition.

SPARTAN  MOTORS  
CHASSIS, INC.

CSB 00-0201A  
SPEC (00005)  
Page 3 of 4  
March, 2001

2. Refer to FIG. 3-1. Using the alignment screws provided in kit #00005, install one screw in each of the open holes from step #1 using a 1/8" hex key wrench.

**Note: Thread alignment screws into latch control mechanism approximately 1/2". These screws are the locating devices for the new door latch and the inside latch control mechanism.**



**Left Hand Shown, Right Hand Opposite**

**FIG. 3-1**

3. Remove each of the remaining two- (2) bolts from the door latch and remove the door latch. Dispose of door latch and hardware.

**Note: To reduce the risk of disturbing the latch control mechanism, the alignment screws must remain in place, and may require support while the bolts/door latch are removed and while the new latch is installed**

4. Refer to FIG. 4-1. Using the alignment screws, position the new door latch to the door frame as shown.

**Note: The latch control pin must be engaged properly into the latch control mechanism.**

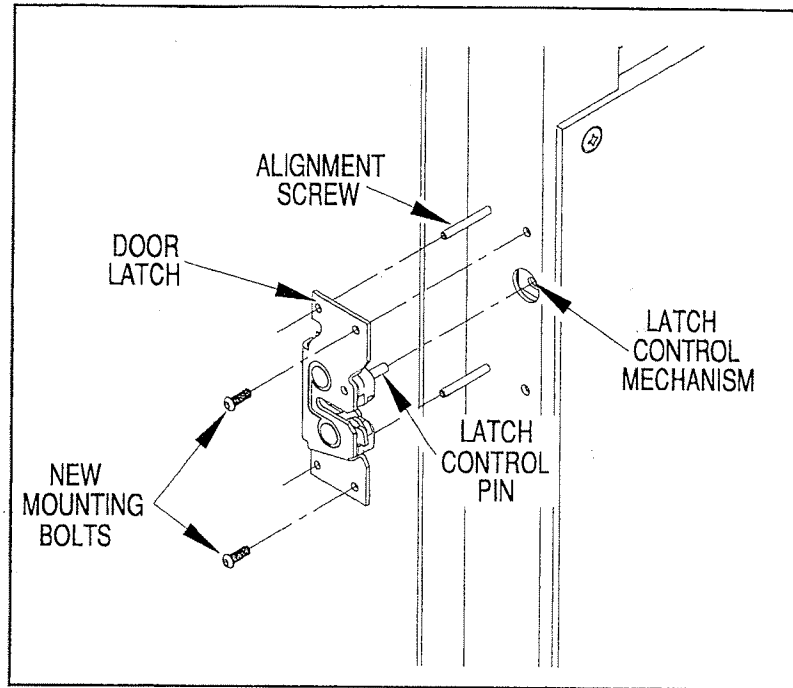
5. Install new mounting bolts. ***New mounting bolts with new locking patch must be installed.*** Secure each bolt to a torque range of 96-120 IN LBS.

**Note: The alignment screws can be removed and replaced with the mounting bolts after the two- (2) bolts for the open holes have been secured.**

Technical bulletins are intended for use by professional technicians only. They are written to inform these technicians of a condition that may occur on a vehicle, or to provide information that could assist in the proper service of a vehicle. Properly trained technicians have the equipment, tools, safety instructions, and training to do a job properly and safely. If a condition is described, DO NOT assume that the bulletin applies to your vehicle, or that your vehicle will have that condition.

SPARTAN  MOTORS  
CHASSIS, INC.

CSB 00-0201A  
SPEC (00005)  
Page 4 of 4  
March, 2001



Left Hand Shown, Right Hand Opposite

**FIG. 4-1**

6. Check door latch operation and alignment with the striker for proper closing and latching.

**Note:** It may be necessary to adjust the striker for proper latch and door seal alignment.

7. Apply white lithium grease to the moving parts of the door latch.
8. Repeat step #1 through #7 for each door latch.

Technical bulletins are intended for use by professional technicians only. They are written to inform these technicians of a condition that may occur on a vehicle, or to provide information that could assist in the proper service of a vehicle. Properly trained technicians have the equipment, tools, safety instructions, and training to do a job properly and safely. If a condition is described, DO NOT assume that the bulletin applies to your vehicle, or that your vehicle will have that condition.