



# SPARTAN CHASSIS, INC.

CSB09-960-002

February, 2009

Page 1 of 2

## CAMPAIGN SERVICE BULLETIN

---

**SUBJECT:** Product Information - Diesel Engine Regeneration Instructions

**APPLIES TO:** Certain Spartan Firetruck Cab/Chassis equipped with a EPA07 Compliant Cat Engine and having a VDM (Vehicle Date of Manufacture) of April 12, 2007 through November 26, 2008.

**CONDITION:** No Regeneration Instructions In Cab

**CORRECTION:** Install Regeneration Instructions In Cab

**PLEASE READ THE ENTIRE BULLETIN BEFORE PROCEEDING WITH ANY WORK. CONTACT SPARTAN CHASSIS INC. IF THERE ARE ANY CONCERNS WITH THE PROCEDURES CONTAINED IN THIS DOCUMENT.**

### **PART / SERVICE INFORMATION:**

| <b><u>QTY.</u></b> | <b><u>Part Number</u></b> | <b><u>Description</u></b>               |
|--------------------|---------------------------|---|
| 1                  | S-2053-002                | Kit- Caterpillar DPF Regeneration Decal |

#### **Kit # S-2053-002 Contains:**

| <b><u>QTY.</u></b> | <b><u>Part Number</u></b> | <b><u>Description</u></b> |
|--------------------|---------------------------|---------------------------|
| 2                  | 2180-AA3-002              | DPF Label (Caterpillar)   |
| 1                  | CSB09-960-001             | Document Instructions     |

### **STEP-BY-STEP INSTRUCTIONS:**

1. Observe all applicable industry safety standards, secure vehicle for installing regeneration instruction placard.

Technical Service Bulletins are intended for use by Professional Technicians only. They are written to guide Professional Technicians in performing service to vehicles of product specific nature in conjunction with industry standards. Professional Technicians are appropriately trained on industry standards and have the tools and equipment to perform procedures safely and properly.



# SPARTAN CHASSIS, INC.

CSB09-960-002

February, 2009

Page 2 of 2

## CAMPAIGN SERVICE BULLETIN

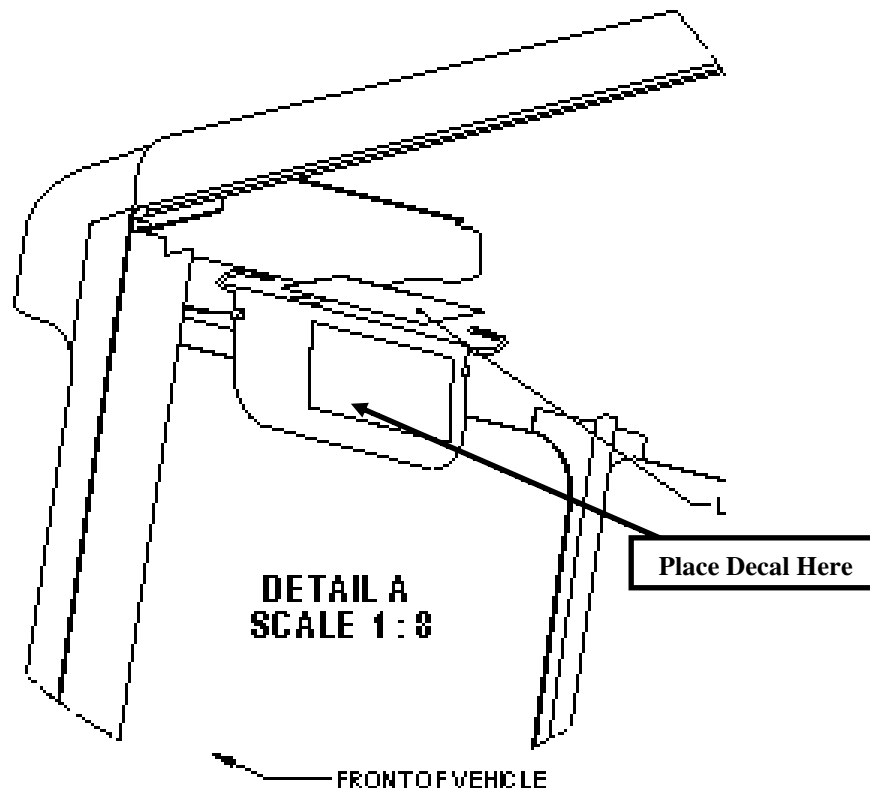
---

2. For best results application temperature should be above 50°F(10°C). If applying decal below 50°F the surface should be cleaned with Isopropyl Alcohol (Rubbing Alcohol).
3. Clean the application surface and dry.
4. Peel the backing paper down 1" from the top, fold and crease backing paper.

**NOTE: Do not cover any warning or safety labels already in place. If there is not enough room, you may mount in an area that is in plain view of driver.**

5. Align and apply the decal in plain view of driver

**NOTE: There are two (2) decals, one for sun visor and one for the owners manual.**



### DECAL INSTALLTION LOCATION

**FIG. 2-1**

Technical Service Bulletins are intended for use by Professional Technicians only. They are written to guide Professional Technicians in performing service to vehicles of product specific nature in conjunction with industry standards. Professional Technicians are appropriately trained on industry standards and have the tools and equipment to perform procedures safely and properly.