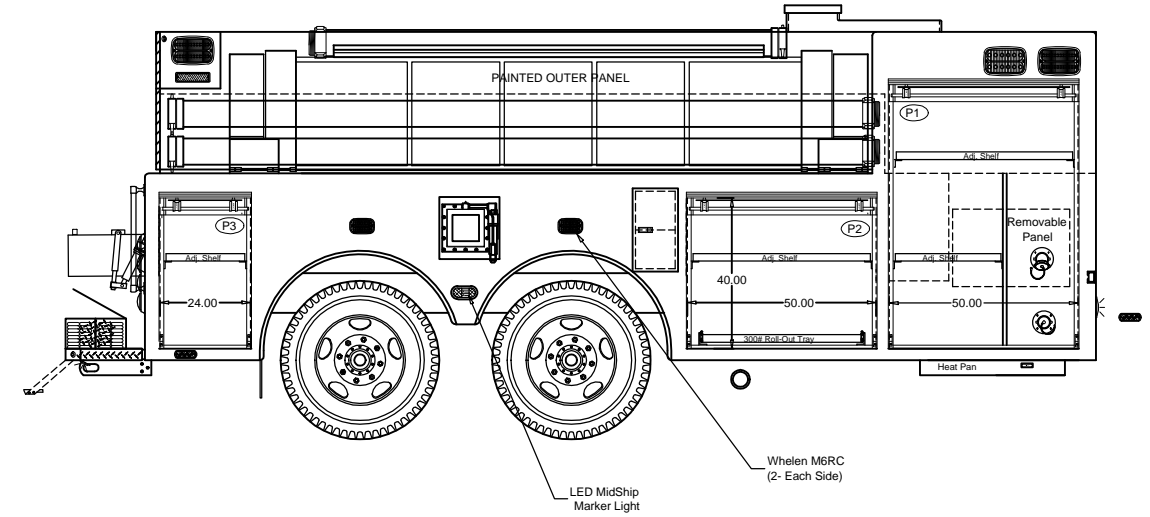
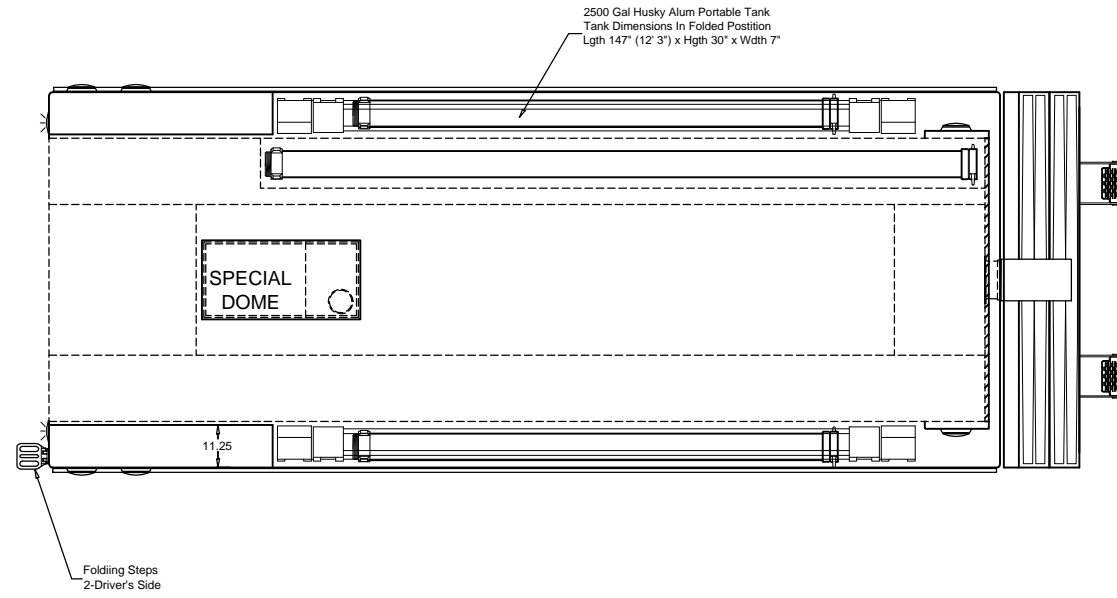
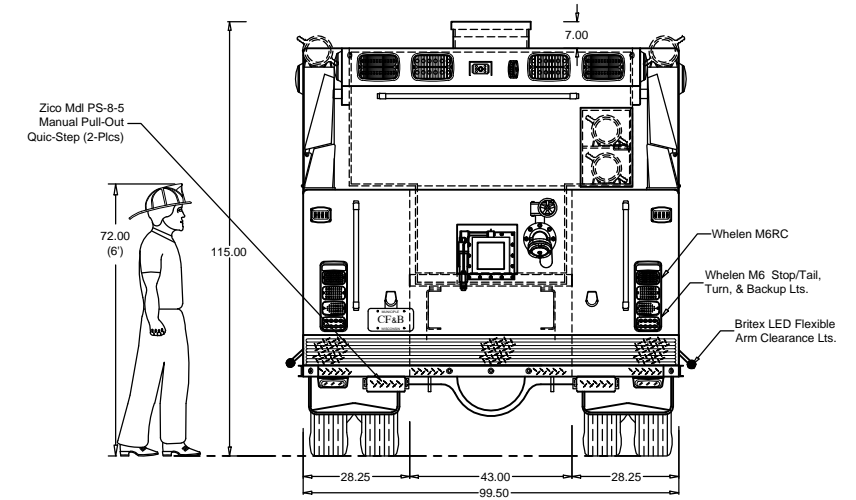
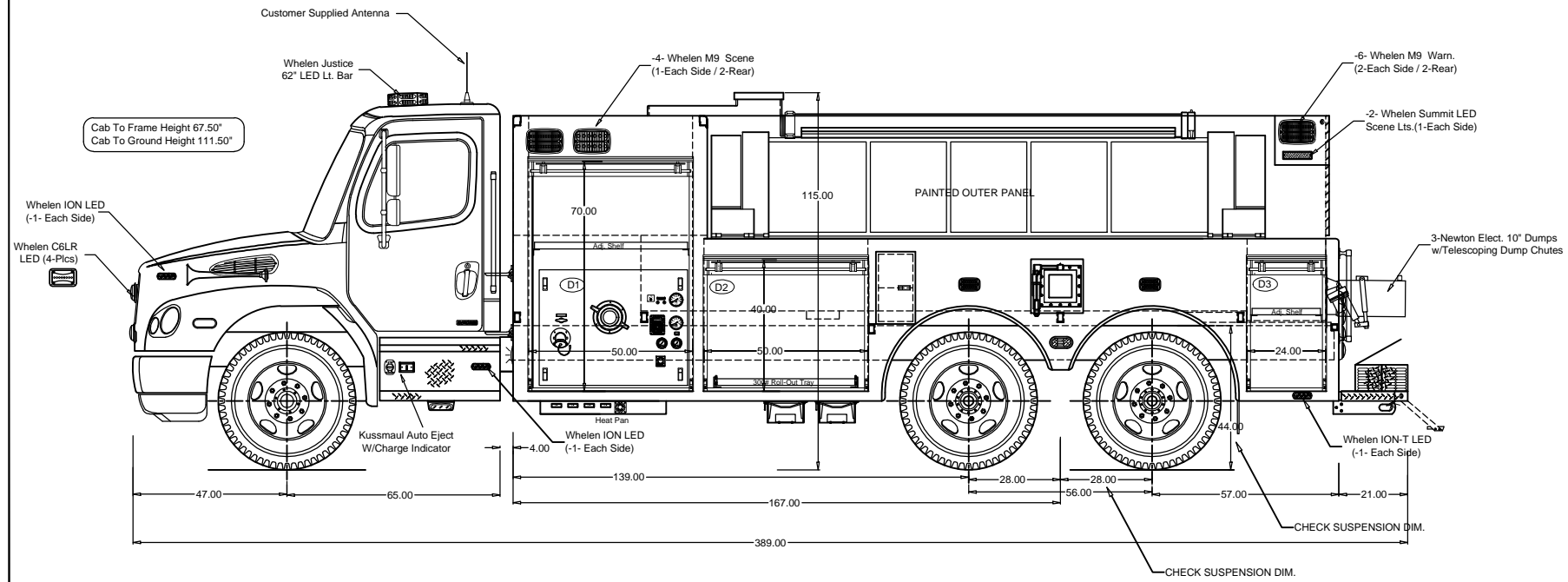


Frame height is based on the best available data. CUSTOM FAB & BODY LLC shall not be held responsible for changes made by the chassis manufacturer that affect the suspension or the noted height of frame.

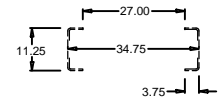


??Side Camera Locations??



Dimensions shown are approximate and may be subject to minor deviations that occur during construction. We reserve the right to make minor Dimensional, Design, & Component changes for Quality Enhancement. Minor spec details not shown.

In the event of a discrepancy between the worded specification and this drawing, the written document will retain precedence.



TANK CAPACITIES  
Water: 3,000 GALS.  
Foam: NONE

Customer Approval: Name \_\_\_\_\_  
Title \_\_\_\_\_ Date \_\_\_\_\_ Paint No. \_\_\_\_\_

### Waterous CXVK 1000gpm Pump

RESTRICTIONS	
115"	Maximum Height
None	Maximum Length
102"	Body Width

Freightliner M2-112 6X2 2-Dr. Cab

**CFB**  
CUSTOM FAB & BODY, LLC

158 US HWY 45  
MARION, WI 54950  
715-754-5316  
FAX 715-754-2903

SCALE: To Fit	DRAWING #	DATE: 03-31-2020	DESIGNED BY: J.A.W.
			REVISION: 04-15-2020

3500 Gal Poly Wet-Side Pumper/Tanker

Mount Upton Fire Dept.  
Mount Upton, N.Y.

2020-23-2

These Drawings and Specifications are the sole property of CUSTOM FAB & BODY LLC and shall not be Reproduced, or Copied, or Used as the basis for the manufacture or sale of units described herein without Written Permission.